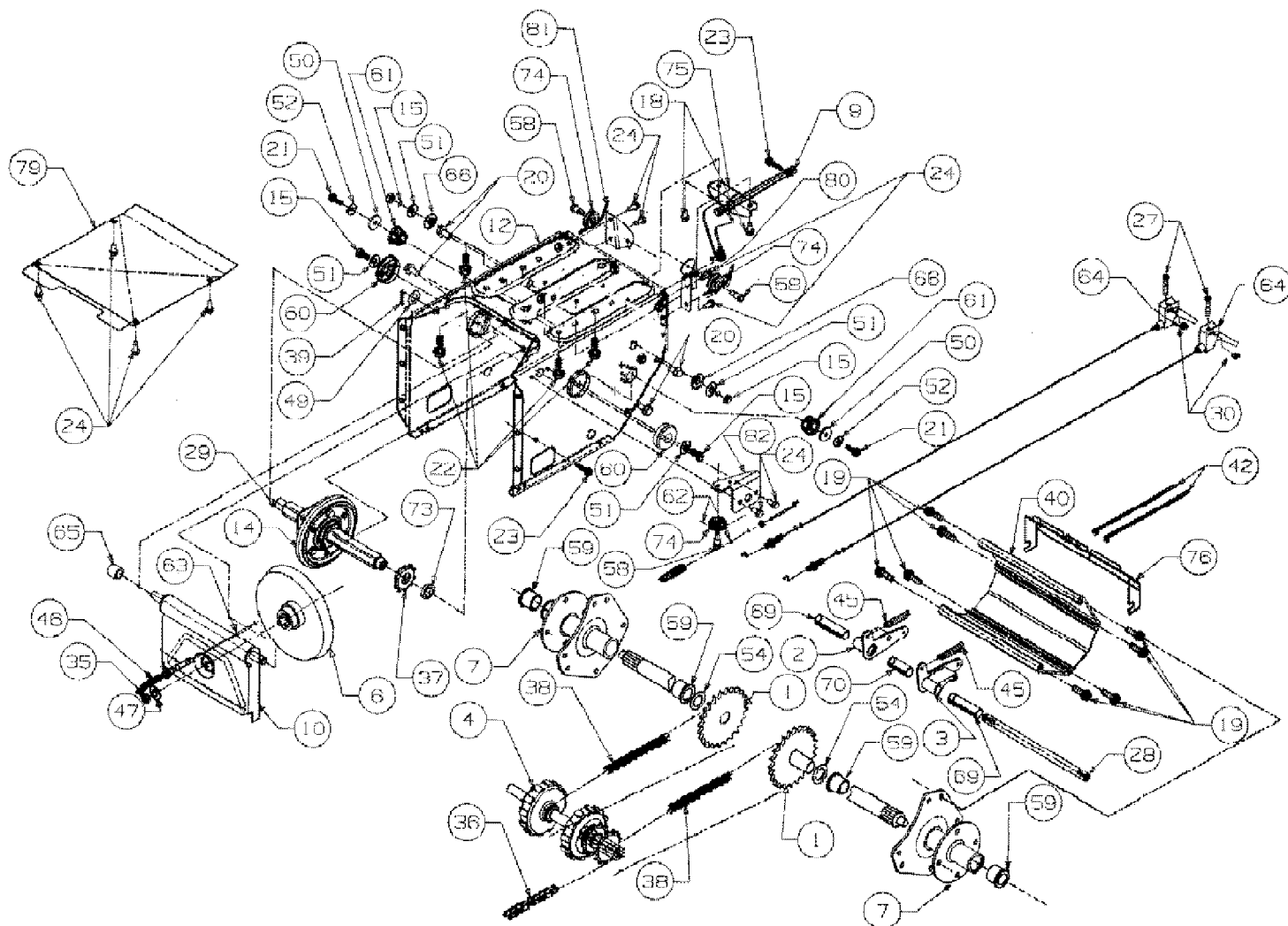


317E733E190 Snow Boss 750 ST (1997)
Axle Ass'y, Frame, Bracket Ass'y And Labels



317E733E190 Snow Boss 750 ST (1997)
Axle Ass'y, Frame, Bracket Ass'y And Labels

Page 2 of 14

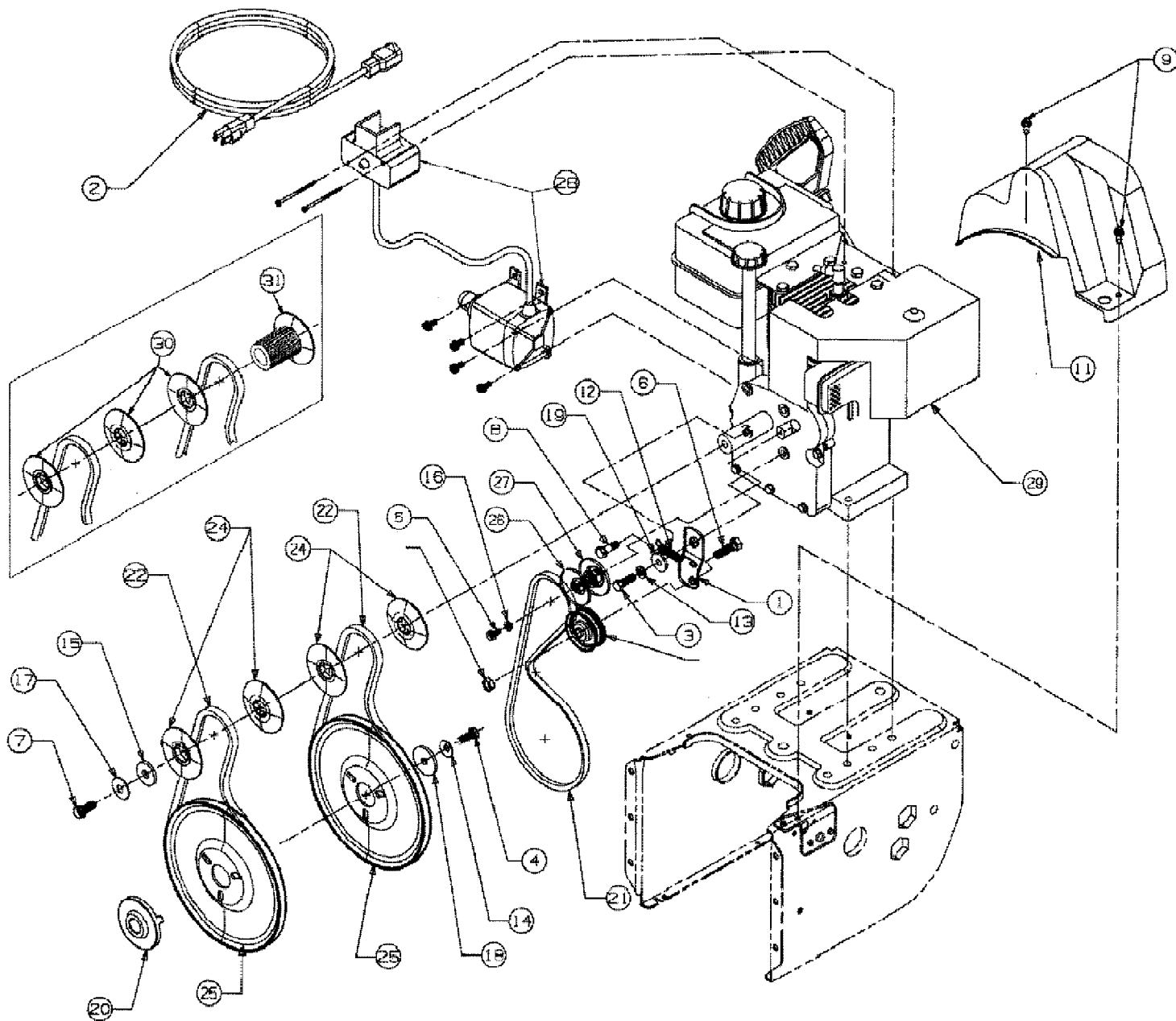
Ref #	Part Number	Qty	S/P/F	Description
1	611-0053	2		Axle Assembly
2	618-0043	1		Dog Assembly-R.H.
3	618-0044	1		Dog Assembly-L.H.
4	618-0169	1	S	Shaft Assembly
6	656-0012A	1	S	Disc Assembly
7	683-0024	2	S	Hub Assembly
9	684-0014A	1	S	Rod Shift Assembly
10	684-0021	1	S	Bracket Assembly
12	684-0031-0662	1	S	Frame Assembly
14	684-0042A	1	S	Wheel Assembly Friction
	735-0243	1	S	Rubber Only
15	710-0118	4	S	Screw
18	710-0599	2	/P	Screw
19	710-0602	8	/P	Screw
20	710-0604	6	S	Screw
21	710-0642	2	/P	Screw
22	710-0654A	4	/P	Screw
23	710-0788	2	/P	Screw
24	710-0896	10	/P	Screw
27	710-1233	2	/P	Screw
28	711-0911	1		Shaft
29	711-1042	1		Shaft
30	712-0127	2	/P	Nut Flange
35	712-0711	1	/P	Nut Jam
36	713-0233	1	/P	Chain
37	713-0413	1		Sprocket
38	713-0437	2		Chain
39	714-0474	1	S	Pin Cotter
40	719-0295A	1	/P	Housing Track
42	725-0157	2	/P	Cable Tie
45	732-0209	2	S	Spring
46	732-0264	1	S	Spring
47	736-0105	1	/P	Washer-Bell
49	736-0160	1	S	Washer-Flat
50	736-0176	2	S	Washer-Flat
51	736-0242	5	/P	Washer-Bell
52	736-0270	2	/P	Washer-Bell
54	736-0287	4	S	Washer-Flat
58	738-0924	3	S	Screw-Shoulder
59	741-0339	4	S	Bearing-Flange
60	741-0563	2	S	Bearing-Ball
61	741-0597	2	S	Bearing-Hex Flange
62	746-0897A	1	S	Cable-Augur Clutch
63	746-0898A	1	S	Cable-Drive Clutch
64	746-0900	2	S	Cable with Trigger Lever
65	748-0190	1	/P	Spacer
66	748-0234	2	/P	Spacer-Shoulder
69	750-0903	2	S	Spacer-Split
70	750-0904	1		Spacer-Split
73	750-0997	1	S	Spacer
74	756-0625	3		Roller-Cable
75	784-5590	1		Bracket
76	784-5609-0662	1		Bracket

317E733E190 Snow Boss 750 ST (1997)
Axle Ass'y, Frame, Bracket Ass'y And Labels

Page 3 of 14

Ref #	Part Number	Qty	S/P/F	Description
79	784-5648-0662	1		Cover-Frame
80	784-5687-0662	1	S	Bracket-Guide
81	784-5688-0662	1	S	Bracket-Guide
82	784-5689-0662	1	S	Bracket-Guide
	777-4337	1		Label-Auger Housing (Snow Boss 750)
	777-4338	1		Label-Auger Housing (Snow Boss 950)
	777-4345	1		Label-Handle Panel

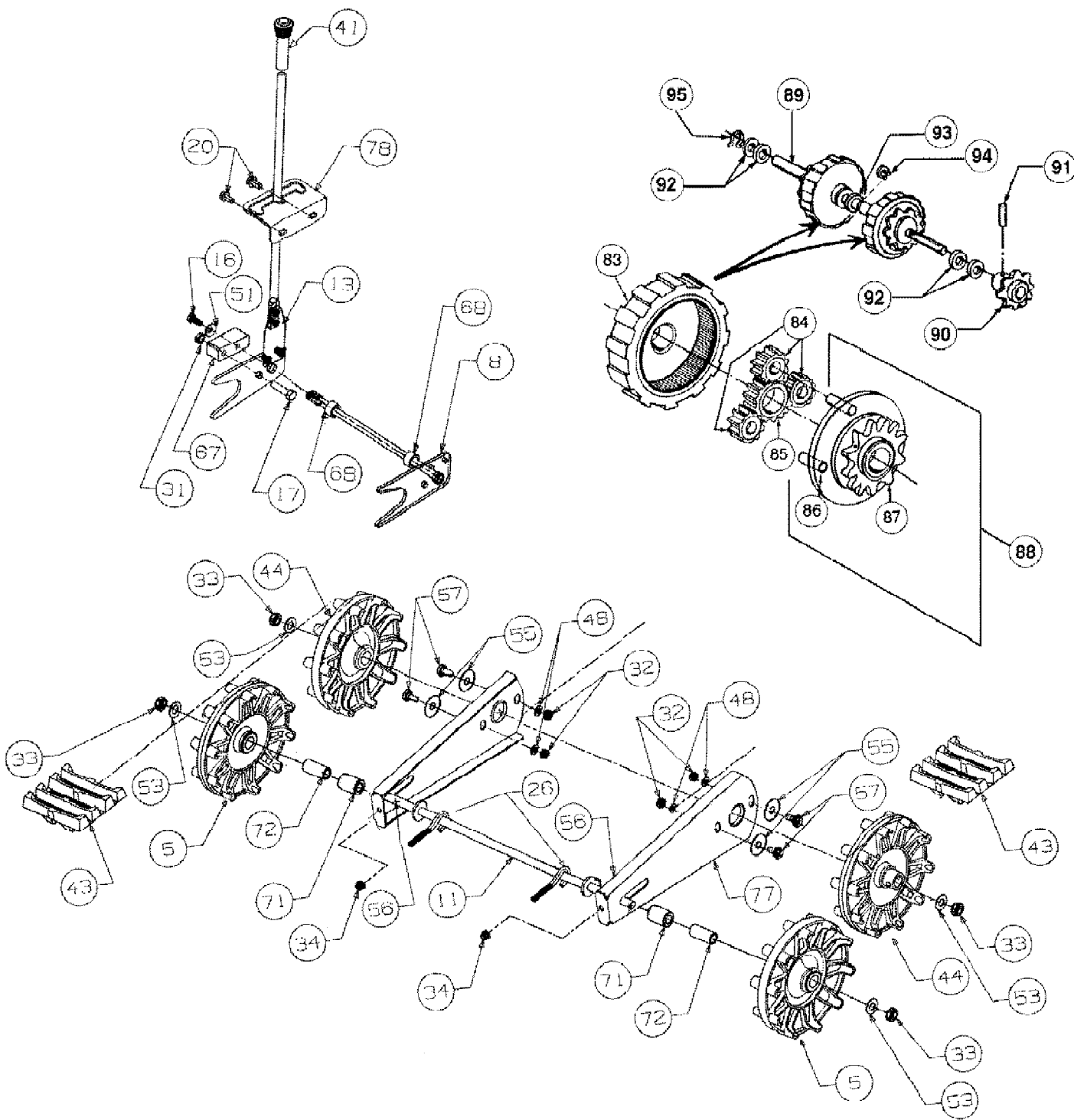
317E733E190 Snow Boss 750 ST (1997)
Belts And Pulleys



317E733E190 Snow Boss 750 ST (1997)
Belts And Pulleys

Page 5 of 14

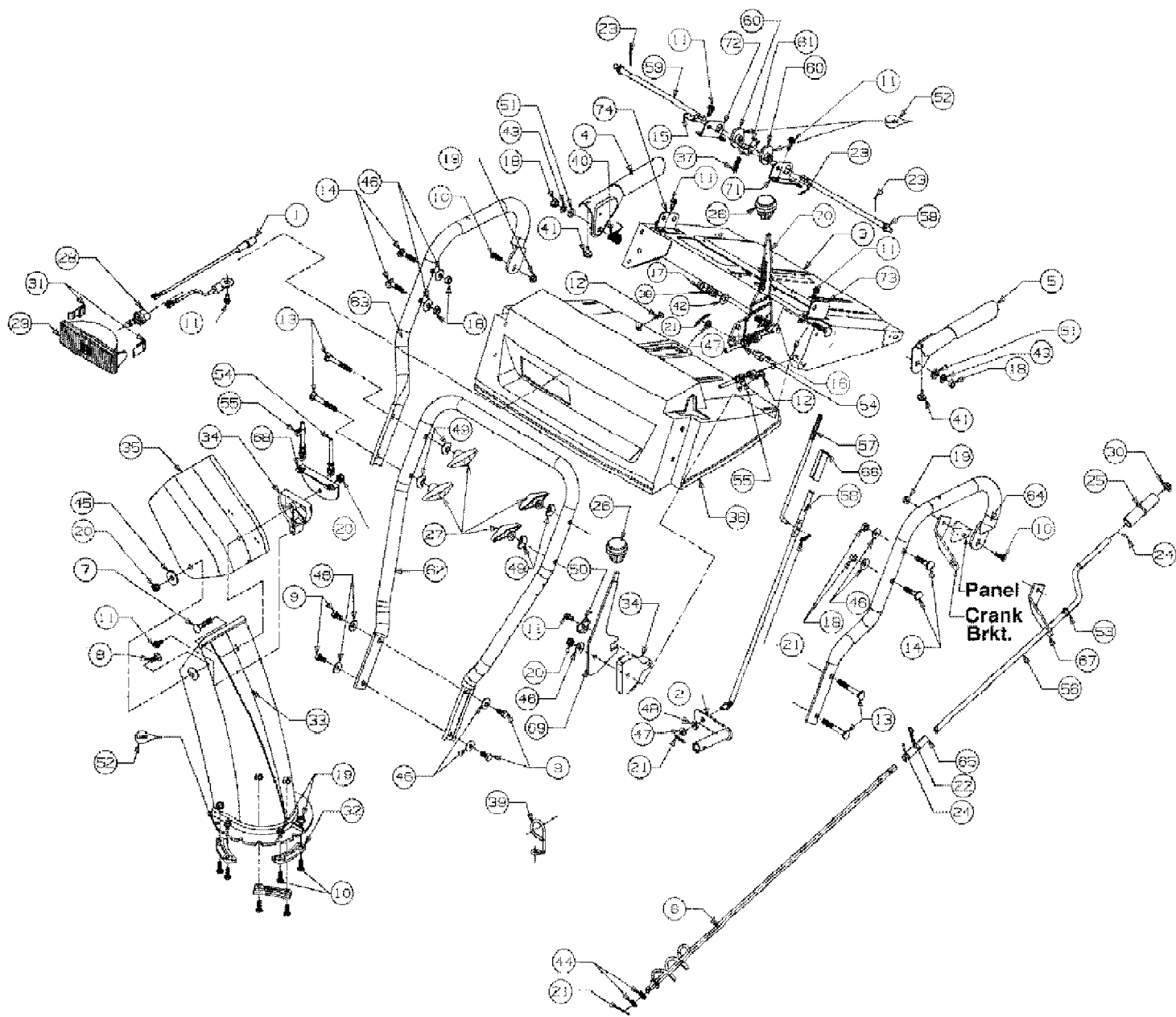
Ref #	Part Number	Qty	S/P/F	Description
1	05896A	1		Bracket
2	629-0071	1	S	Cord, Extension
3	710-0117	1	S	Screw
4	710-0157	1	/P	Screw
5	710-0230	1	/P	Screw
6	710-0342	1	S	Screw
7	710-0696	1	/P	Screw
8	710-0888	1	/P	Screw
9	710-0896	2	/P	Screw
?10	712-0181	1	S	Nut, Hex
11	731-1324	1		Belt Cover
12	732-0710	1	S	Spring
13	736-0119	1	S	Washer-Lock
14	736-0242	1	/P	Washer-Bell
15	736-0247	1	/P	Flat Washer
16	736-0329	1	S	Washer-Lock
17	736-0331	1	/P	Washer
18	736-0505	1		Washer
19	748-0234	1	/P	Shoulder Spacer
20	748-0360	1	S	Pulley Adapter
21	754-0346	1	S	V-Belt
22	754-0430	2	S	V-Belt
?23	756-0313	1	/P	Idler, Flat
24	756-0569	4		Pulley, Half (753F)
25	756-0967	2		Pulley Auger
26	756-0986	1		Pulley, Half
27	756-0987	1	S	Pulley, Half
28	390-987-000	1	S	Starter (753F)
	390-985-000	1		Starter (733E)
29		1		Engine
30	756-0620	3		Pulley, Half (733E)
31	756-0621	1	S	Pulley, Half (733E)



317E733E190 Snow Boss 750 ST (1997)
Carrier Ass'y, Wheel Ass'y Friction And Labels

Page 7 of 14

Ref #	Part Number	Qty	S/P/F	Description
5	631-0032	2	/P	Wheel Assembly Idler
8	684-0009	1		Rod Track Pivot
11	684-0024	1	S	Axle Assembly
13	684-0038	1	S	Handle Assembly
16	710-0157	1	/P	Screw
17	710-0459	1	S	Screw
20	710-0604	6	S	Screw
26	710-1231	2		Screw
31	712-0214	1	S	Nut Lock
32	712-0267	4	S	Nut Hex
33	712-0346	4	S	Nut Jam
34	712-0429	2	S	Nut Hex
41	720-0223	1		Grip
43	731-1292	2		Track
44	731-1538	2	S	Wheel-Track Drive
48	736-0119	4	S	Washer-Lock
51	736-0242	5	/P	Washer-Bell
53	736-0272	4	S	Washer-Flat
55	736-0406	4	S	Washer-Flat
56	737-0170	1		Lubricant
57	738-0140	4	S	Screw-Shoulder
67	748-0353A	1		Lift-Shaft Drive
68	750-0547	2		Spacer
71	750-0909	2		Spacer
72	750-0995	2		Spacer
77	784-5639-0662	2		Plate-Track Side
78	784-5642	1		Plate-Track Lockout
83	717-1211	2	S	Gear Ring
84	717-1209	6	S	Gear 12-Tooth
85	717-1210	2	S	Gear 18-Tooth
86	741-0542	6		Pin Dowel
87	718-0188	2	S	Carrier
88	618-0046	2	S	Carrier Assembly
89	711-0912	1		Shaft-Track Drive
90	713-0414	1		Sprocket-13 Tooth
91	715-0120	1	S	Spring Pin 3/16" Dia. x 1" Lg.
92	736-0502	6	S	Fl-Wash. .57" I.D. x 1.12" O.D.
93	736-0336	2	S	Fl-Wash. 5/8" I.D. x 1" O.D.
94	716-0115	2	S	Snap Ring .625" Shaft
95	716-0114	1	S	Snap Ring .56" Shaft
	777-4337	1		Label-Auger Housing (Snow Boss 750)
	777-4338	1		Label-Auger Housing (Snow Boss 950)
	777-4345	1		Label-Handle Panel



317E733E190 Snow Boss 750 ST (1997)
Handle And Panel Ass'y

Page 9 of 14

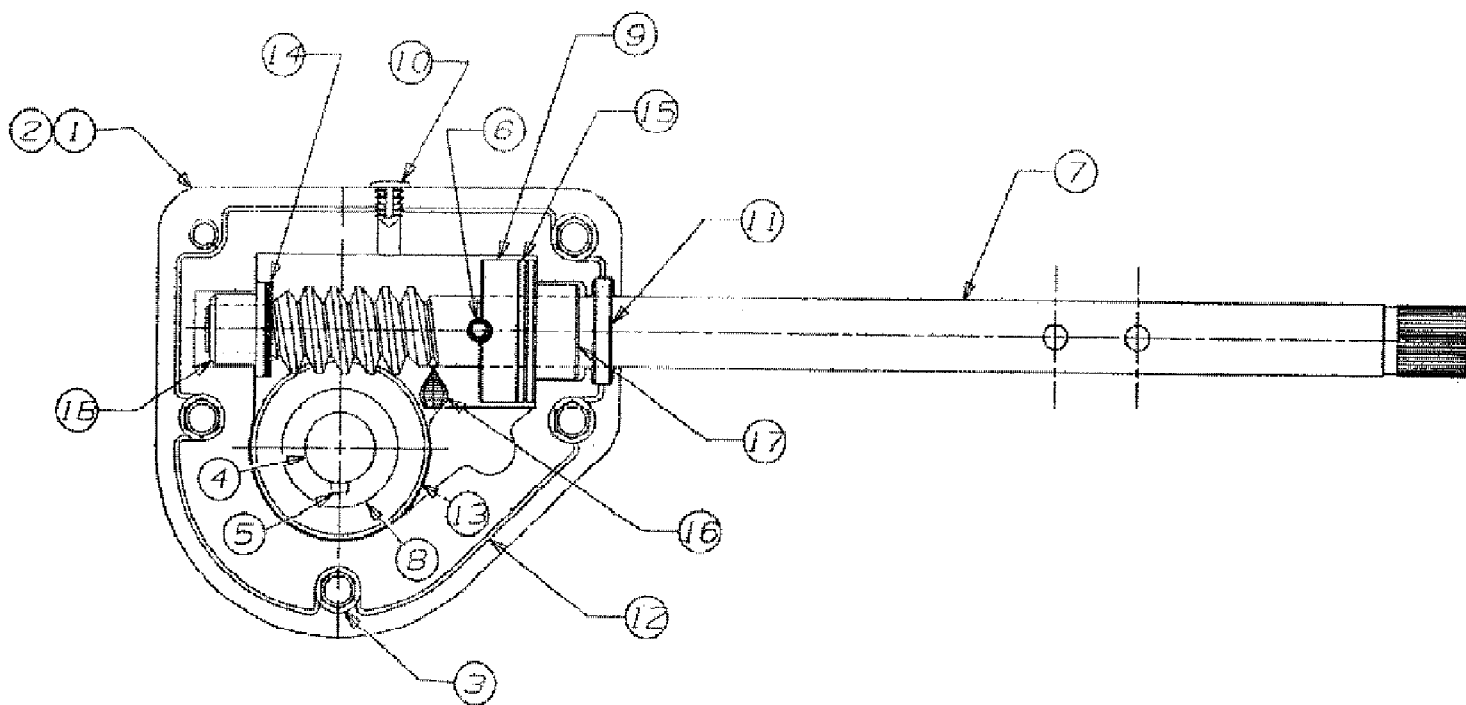
Ref #	Part Number	Qty	S/P/F	Description
1	629-0059	1	S	Harness-Light
2	684-0008-0637	1	S	Arm-Shift
3	684-0032A	1		Panel Ass'y. - Handle w/Tilt
4	684-0036	1	S	Handle-Engagement - R.H.
5	684-0037	1	S	Handle-Engagement - L.H.
6	684-0053	1	S	Crank-Chute
7	710-0262	1	/P	Bolt-Carriage
8	710-0451	1	/P	Bolt-Carriage
9	710-0118	4	S	Screw-Hex
10	710-3015	8	/P	Screw-Hex
11	710-0896	7	/P	Screw-Washer Head-Hex
12	710-1003	2	/P	Screw-Hex
13	710-1178	4	/P	Bolt-Carriage
14	710-1250	4	/P	Bolt-Carriage
15	711-0653	1	/P	Pin-Clevis
16	711-0677	1	S	Ferrule
17	712-0116	1	S	Nut-Hex Lock
18	712-0267	6	S	Nut-Hex
19	712-3027	8	S	Nut-Hex Lock
20	712-3068	3	S	Nut-Hex Lock
21	714-0104	4	S	Pin-Cotter Internal
22	714-0145	1	S	Pin-Cotter
23		1		UNKNOWN
24	715-0138	2	S	Pin-Roll
25	720-0201A	1	/P	Knob-Chute Crank
26	720-0232	2	S	Knob-Shift
27	720-0284	4	S	Knob-Wing Nut
28	725-1658	1	S	Lamp
29	725-1672	1	S	Housing-Lamp
30	726-0100	1	S	Cap-Push
31	726-0321A	2	S	Clip-Retaining
32	731-0851A	3	/P	Keeper-Chute
33	731-1300A	1	S	Chute-Lower
34	731-1313	2	S	Guide-Cable
35	731-1320	1	S	Chute-Upper
36	731-1737	1	S	Panel-Handle
37	732-0145	1	/P	Spring
38	732-0193	1	/P	Spring
39	732-0705	1		Wire-Control
40	732-0746	1		Spring
41	735-0199A	2	S	Bumper
42	736-0105	1	/P	Washer-Bell
43	736-0119	2	S	Washer-Lock
44	736-0140	2	S	Washer-Flat
45	736-0231	1	S	Washer
46	736-0242	9	/P	Washer-Bell
47	736-0264	2	S	Washer-Flat
48	736-0271	1	S	Washer-Lock
49	736-0451	4	S	Washer-Saddle
50	736-0506	1	S	Washer
51	736-0509	2		Washer
52	737-0133	1	S	Lubricant
53	741-0475	1	S	Bushing-Plastic

317E733E190 Snow Boss 750 ST (1997)
Handle And Panel Ass'y

Page 10 of 14

Ref #	Part Number	Qty	S/P/F	Description
54	746-0896	1	S	Cable-Chute Control
55	746-0901	1	S	Cable-Chute Control
56	747-0618	1	S	Crank-Chute
57	747-0620A	1	/P	Rod-Shift Upper
58	747-0621	1		Rod-Shift Lower
59	747-0877	2		Rod-Cam
60	748-0362	2		Cam-Handle Lock
61	748-0363	1	S	Pawl-Handle Lock
62	749-0951-0637	1	S	Handle-Lower
63	749-0954-0637	1	/P	Handle - R.H.
64	749-0955-0637	1	/P	Handle - L.H.
65	750-0785	1	S	Spacer
66	750-0963	1	S	Connector
67	784-0309	1	S	Bracket
68	784-5594	1		Bracket-Cable
69	784-5604	1	S	Handle-Chute Tilt
70	784-5619	1	S	Handle-Shift
71	784-5679	1	S	Bracket-Handle Support - L.H.
72	784-5680	1	S	Bracket-Handle Support - R.H.
73	784-5681	1	/P	Bracket-Handle Support - L.H.
74	784-5682	1	S	Bracket-Handle Support - R.H.

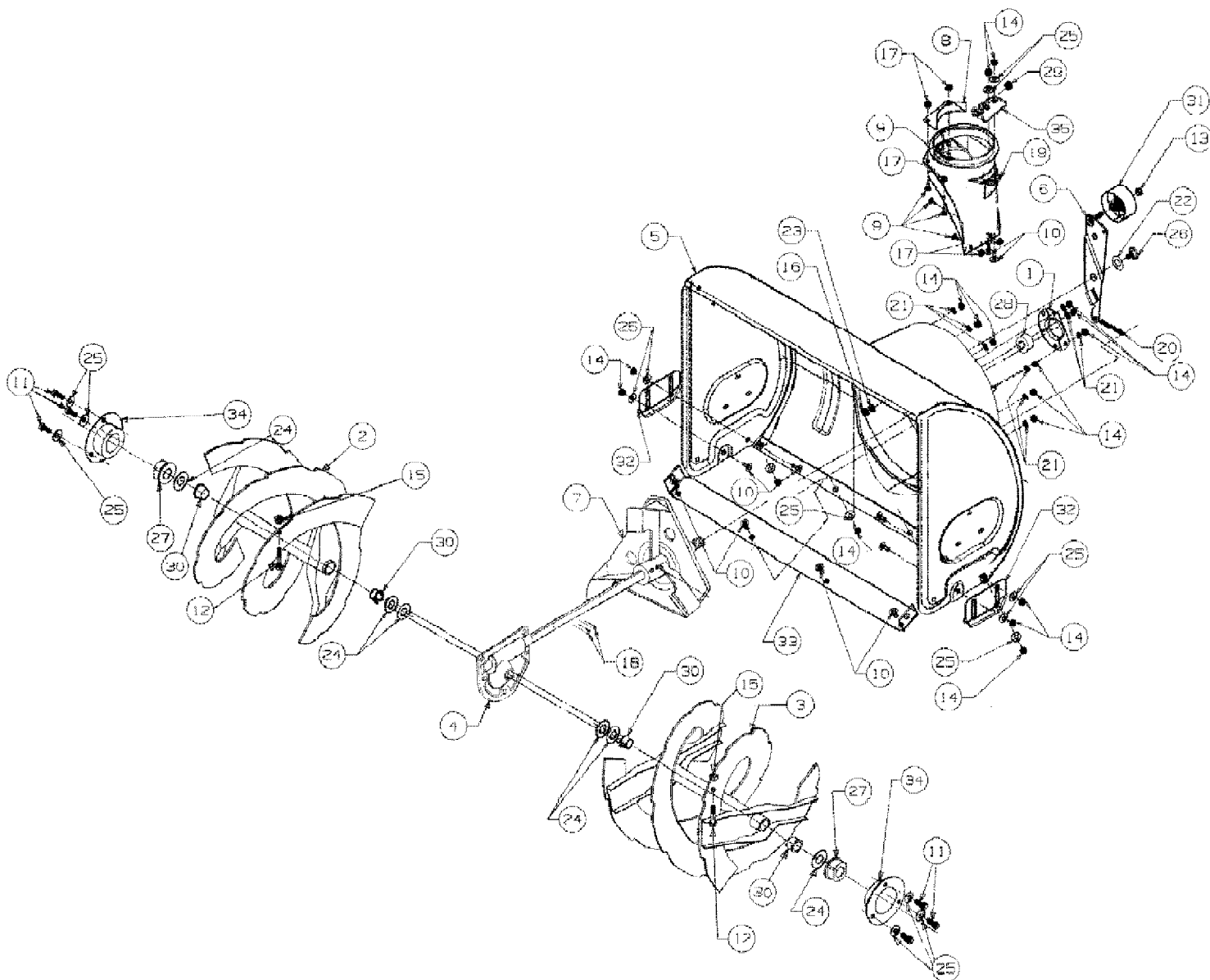
317E733E190 Snow Boss 750 ST (1997)
Housing And Shaft Worm



317E733E190 Snow Boss 750 ST (1997)
Housing And Shaft Worm

Page 12 of 14

Ref #	Part Number	Qty	S/P/F	Description
1	618-0123	1	S	Housing-R.H.
2	618-0124	1	S	Housing-L.H.
3	710-0642	5	/P	Screw
4	711-0909	1	S	Axle, Spiral 26" (753F)
	711-0908	1	S	Axle, Spiral 24" (733E)
5	714-0161	1	S	Key, Hi-Pro
6	715-0143	1	S	Pin, Spiral
7	717-0526	1		Worm, Shaft
8	717-0528	1	S	Gear, Worm
9	718-0186	1		Collar, Thrust
10	721-0325	1		Plug
11	721-0327	1		Seal, Oil
12	721-0328	1		Loctite 5699, Ultra
13	736-0351	2	S	Washer
14	736-0369	4	S	Washer
15	736-0445	1	S	Washer
16	737-0168	1	S	Grease
17	741-0662	1		Bearing Flange
18	741-0663	1		Bearing Flange



317E733E190 Snow Boss 750 ST (1997)
Spiral Ass'y, Housing Ass'y And Gear Assembly

Page 14 of 14

Ref #	Part Number	Qty	S/P/F	Description
1	05931	1	S	Housing-Bearing
2	605-5189	1	S	Spiral Assembly - L.H. 24"
	605-5193-0662	1	S	Spiral Assembly - L.H. 26"
3	605-5188	1	S	Spiral Assembly - R.H. 24"
	605-5192-0662	1	S	Spiral Assembly - R.H. 26"
4	618-0120	1	S	Gear Assembly 24"
	618-0121	1	S	Gear Assembly 28"
5	684-0039A-0662	1	S	Housing Assembly 24"
	684-0040A	1	S	Housing Assembly 28"
6	684-0064	1	S	Arm-Idler Assembly
7	684-0065-0662	1	S	Impeller Assembly
8	705-5226	1		Reinforcement-Chute
9	710-0167	5	/P	Screw-Carriage
10	710-0451	10	/P	Screw-Carriage
11	710-0604	6	S	Screw-Hex
12	710-0890	2	S	Shear Bolt
13	712-0116	1	S	Nut-Hex Lock
14	712-0267	19	S	Nut-Hex
15	712-0429	2	S	Nut-Hex
16	712-0798	1	/P	Nut-Hex
17	712-3027	5	S	Nut-Hex Lock
18	715-0114	2	S	Pin-Spring
19	731-1379	1	S	Adapter-Chute
20	732-0611	1	S	Spring
21	736-0119	9	S	Washer-Lock
22	736-0167	1	S	Washer-Flat
23	736-0169	1	S	Washer-Lock
24	736-0188	6	/P	Washer-Flat
25	736-0242	16	/P	Washer-Bell
26	738-0281	1	S	Screw-Shoulder
27	741-0245	2	S	Bearing-Flange
28	741-0309	1	S	Bearing-Ball
29	741-0475	1	S	Bushing-Plastic
30	741-0493A	4	/P	Bushing-Flange
31	756-0178	1		Idler-Flat
32	784-5580-0662	2	S	Shoe-Slide
33	784-5581A-0662	1	S	Shave Plate 24"
	784-5579A-0662	1		Shave Plate 26"
34	784-5618	2	S	Housing-Bearing
35	784-5647	1	S	Bracket-Chute Crank